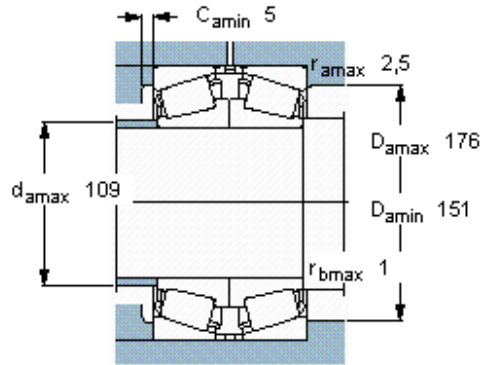
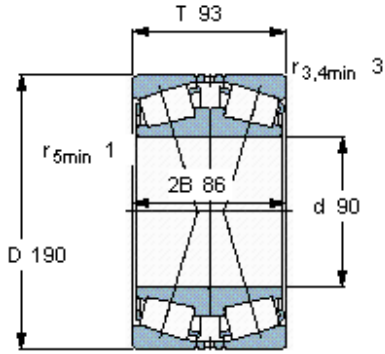


Tapered roller bearings, single row, paired face-to-face

Principal dimensions			Basic load ratings		Speed ratings		Designation
d	D	T	dynamic C	static C0	Reference speed	Limiting speed	
mm			kN		r/min		* SKF Explorer bearing
90	190	93	457	630	1900	3400	31318 J2/DF



Calculation factors

- e 0,83
- Y₁ 0,81
- Y₂ 1,2
- Y₀ 0,8